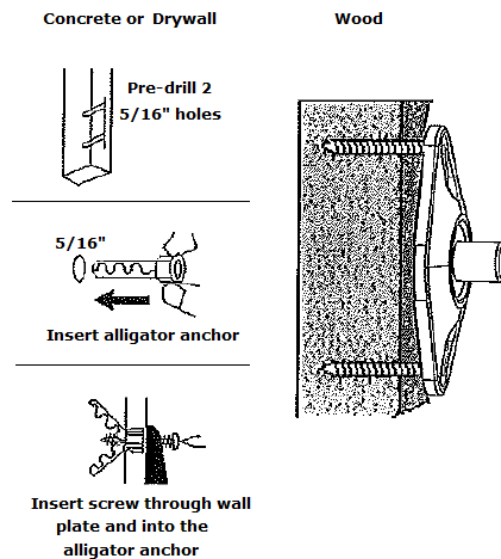


Emmitter Mount (X-M210-25) Installation Instructions

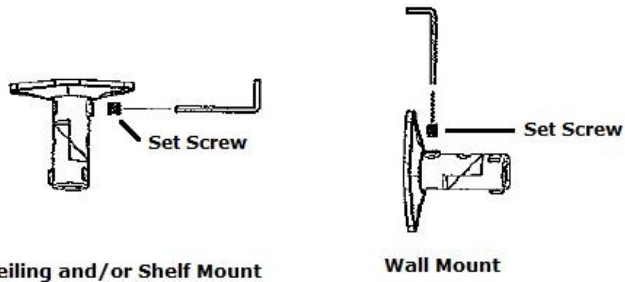
Please read entire instructions prior to installation. The mount was designed solely for the purpose of mounting items weighing less than 10 lbs/4Kg. Not for use with items weighing more than 10 lbs/4Kg.



1. Install wall or ceiling mount with self-tapping screws. If mounting into drywall or concrete, use alligator anchors.



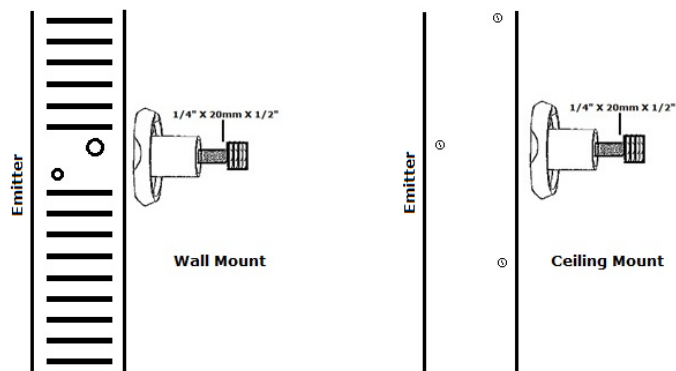
2. Tighten the Set Screw using the Allen wrench included. Ensure Set Screw is secure. For low profile ceilings, do not use the extension.



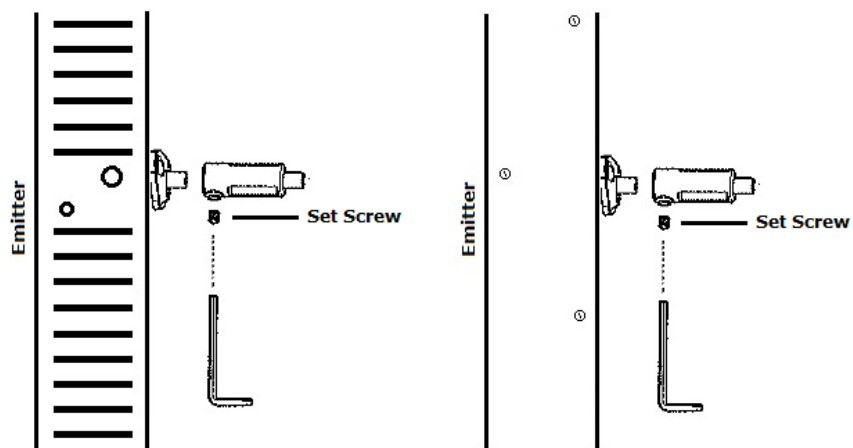
Ceiling and/or Shelf Mount

Wall Mount

- Your emitter will require the use of the 1/4" X 20mm X 1/2" Allen head machine screw. Tighten the mounting screw using the Allen wrench included.



- Mount extension, if needed. Ensure set screw is secure.
-



6. Attach emitter mount to wall mount. Ensure all set screws are secure.

